



AT THE



WORLDWIDE INTEROPERABILITY DEMONSTRATION  
**SUPERCOMM 2005**

# Contents

- **Company Overview**
- **ASON benefits to Carriers**
- **Functional roles in the demonstration**
- **Network topology in CT Lab**
- **Observations of the ASON interoperability**
- **CT's interests on future ASON Demo**

# Company Overview

- ◆ **China Telecom Corporation (CTC)** provides fixed-line voice, data, video, multimedia and information services.
- ◆ The largest fixed-line voice and data service provider in China.
- ◆ CTC completed listing its shares at New York and Hong Kong stock exchanges in 2002.



# *CT Beijing Research Institute*

- **CTBRI**
- **Founded on April 18th, 2001.**
- **Beijing, China.**



- To do researches on the strategies of technical development for China Telecom, and put forward the solutions of network development as well as technical applications.
- To set the development planning of telecommunication network, technologies, and services.
- To do researches on the laws, stipulations, and policies concerning telecommunication regulation and tariff.

# The Benefits of ASON to Carriers

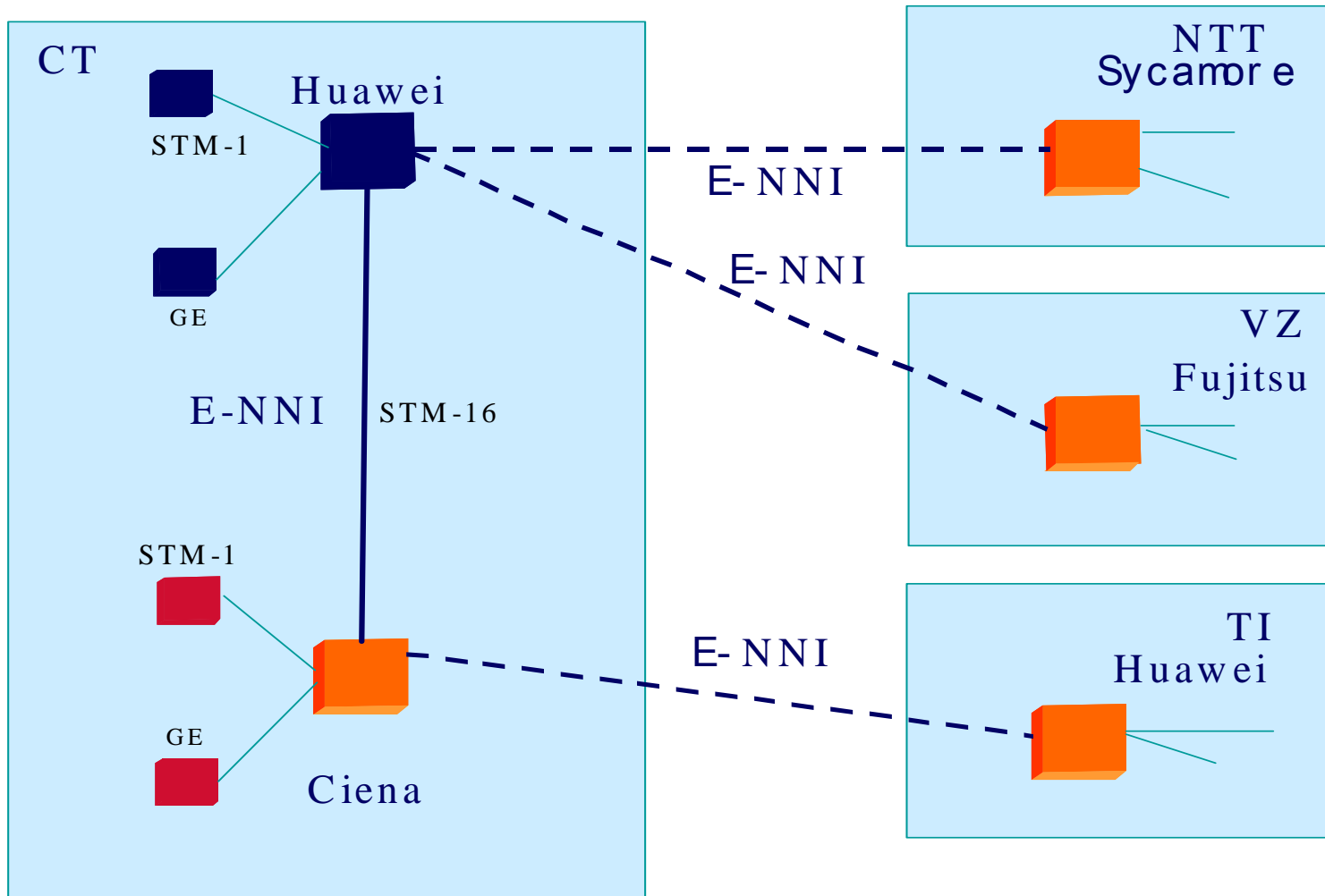
- ◆ Quickly and dynamically provisioning of network resources in multi-vendor environment
- ◆ Multi-type Protections and Restorations
- ◆ New services opportunities: OVPN, BoD, etc.
- ◆ Opex & CapEx reduction
- ◆ Improve network resources utilization

# Functional roles in the demonstration

CT hosts the UNI/E-NNI interoperability testing site.

- ❖ **UNI-C Equipments**
  - Navtel UNI-C emulator
- ❖ **UNI-N/E-NNI Equipments**
  - CIENA CoreDirector CI
  - Huawei OSN 9500

# Network topology in CT Lab



# Observations of the ASON interoperability

- ◆ **Dynamic setup and tear down of Ethernet services via control plane, over multiple domains**
  - ✓ **CT(Huawei)-NTT(Sycamore)**
  - ✓ **CT(CIENA)-TI(Huawei)**
  - ✓ **CT(Huawei)-VZ(Fujitsu)**

# CT's interests on future ASON Demo

- Protection and restoration in a multi-domain network scenario
- Management of CP functions in a multi-vendors network
- Network security and authentication mechanism
- Automatic discovery functions

Welcome your visit!

- ◆ China Telecom:
- ◆ <http://www.chinatelecom.com.cn/>
- ◆ China Telecom Beijing Research Institute :
- ◆ <http://www.ctbri.com.cn/>

• Thank You!

◆ 谢谢!