

OIF and ITU-T Collaboration

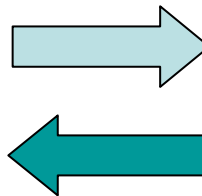


- Promotes the global development of optical internetworking products
- Recognized by ITU-T



- Study Group 15 is the focal point for studies on optical and other transport networks, systems and equipment.

- Carrier Requirements
- Interoperability Experience
- Protocol Specifications in UNI Implementation Agreement
- Adoption of ITU-T Reqs.

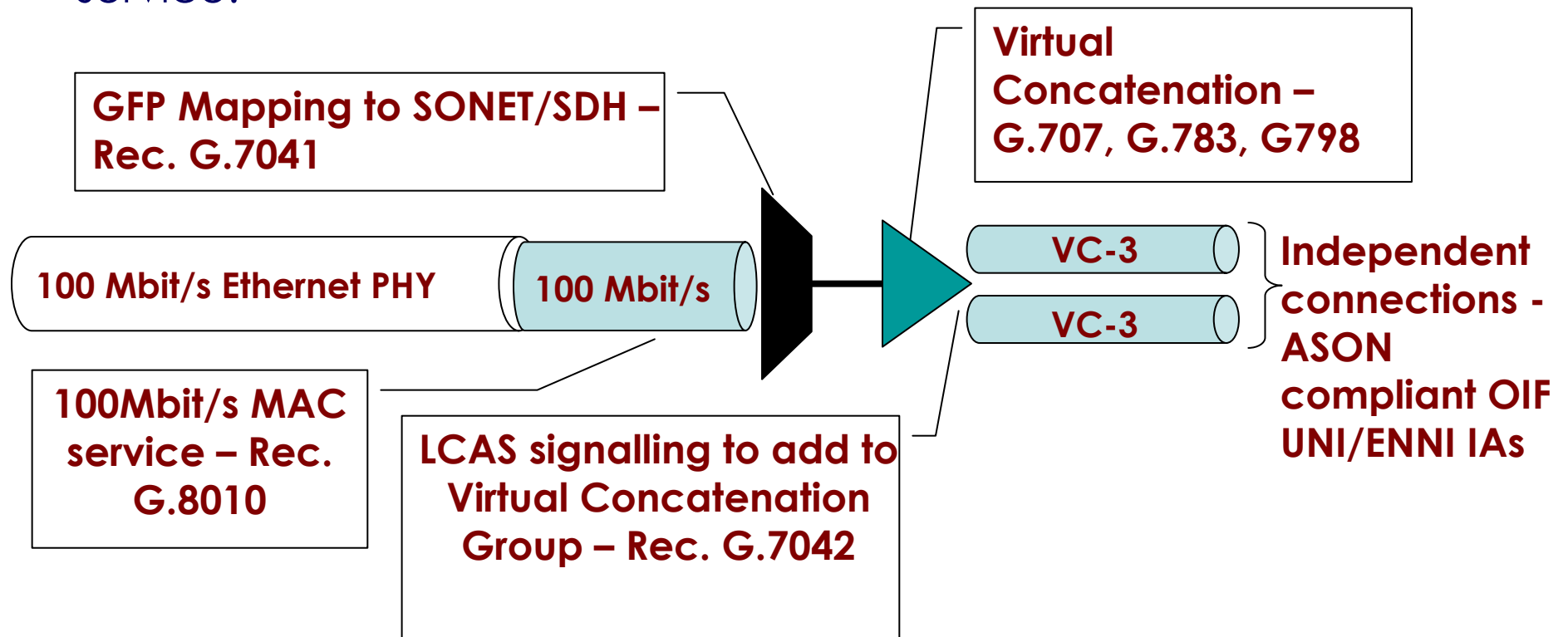


- ASON Recommendations for Optical Signalling and Routing
- Transport Recommendations for GFP, LCAS, VCat, Ethernet

Synergy benefits carriers, vendors and users

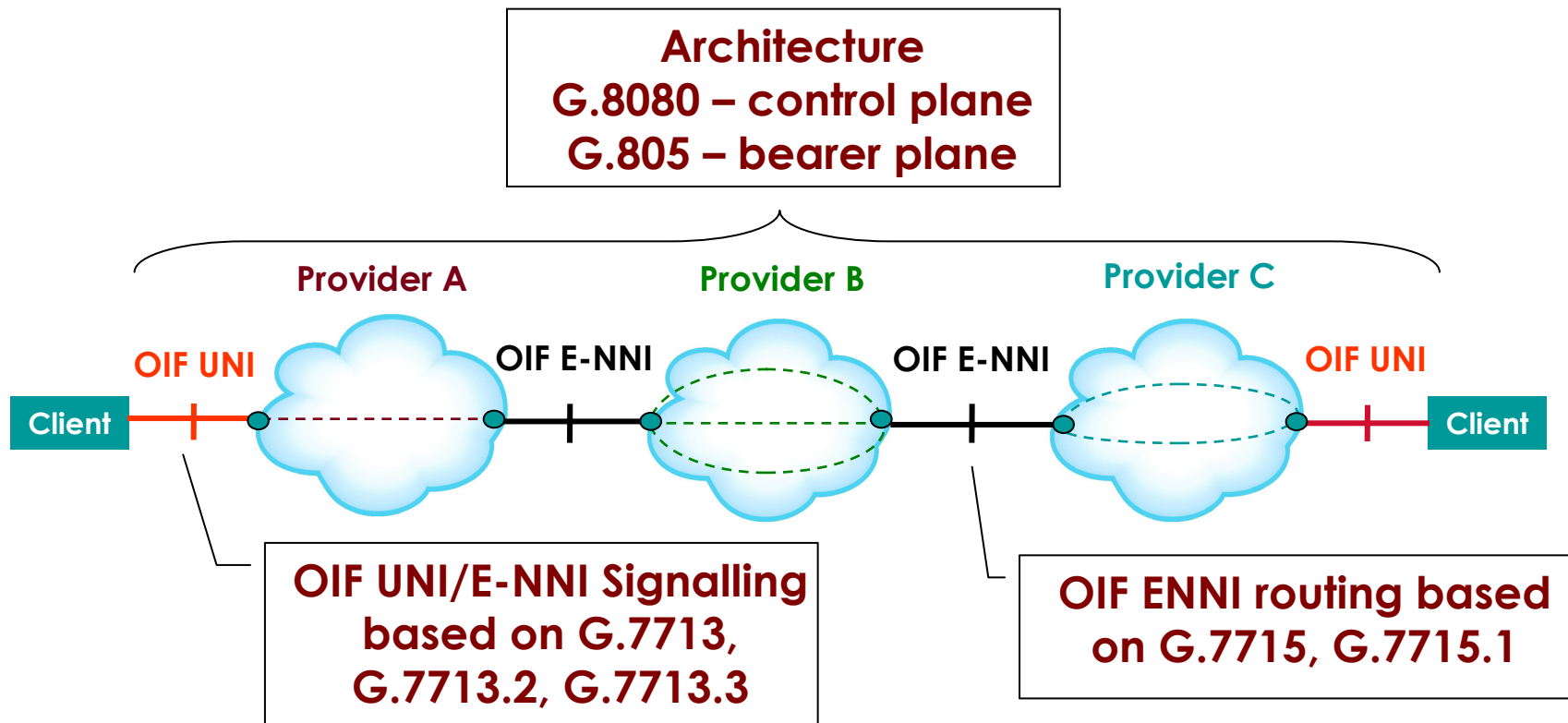
VCat + LCAS + GFP

- ITU-T Standards enable Ethernet service over optical network.
- OIF World Interoperability Demo shows global Ethernet adaptation service.



Automatic Switched Optical Network

- Dynamic signalling and routing control over OTN/SONET/SDH network.
- OIF UNI/ENNI Implementation Agreements based on ASON Recommendations



“Standards for Better Telecommunications”

The ITU-T congratulates
the OIF on its
World Interoperability
Demo

