

# OIF Panel Session at 2017 OFC

## Accelerating Deployment of Coherent Optical Solutions

Karl Gass

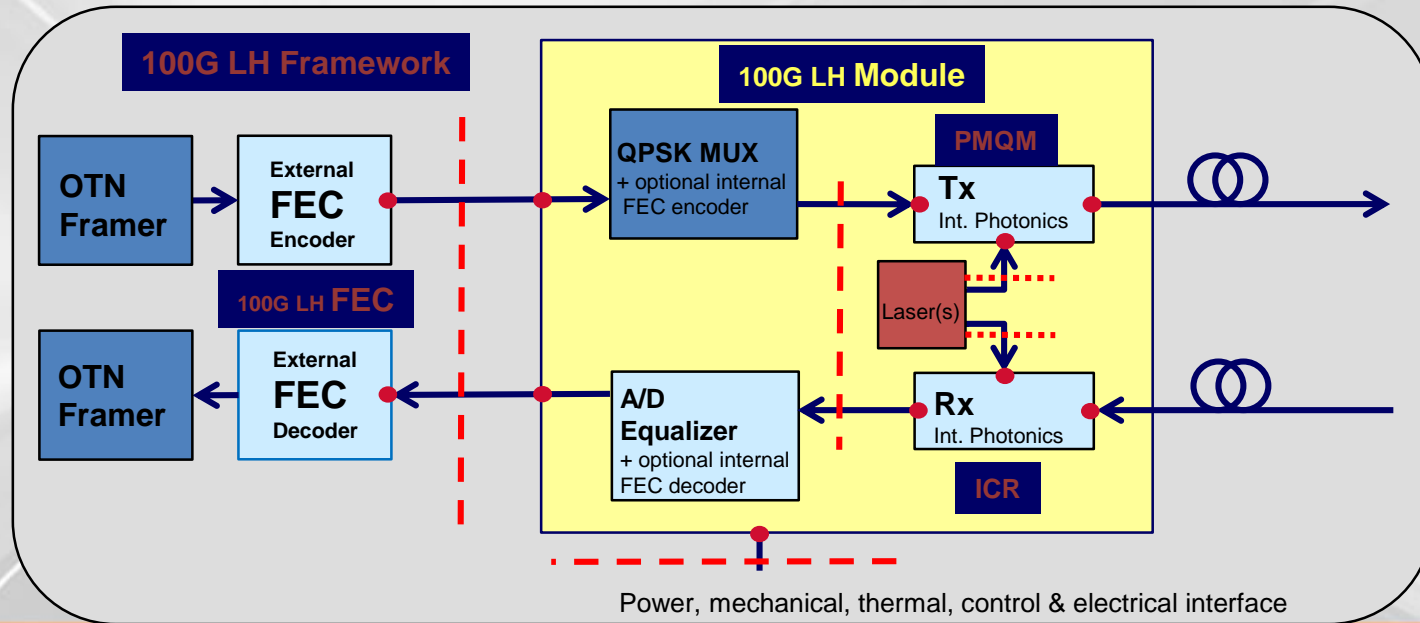
OIF Physical and Link Layer Working Group - Vice Chair Optics,  
Qorvo

21 Mar, 2017



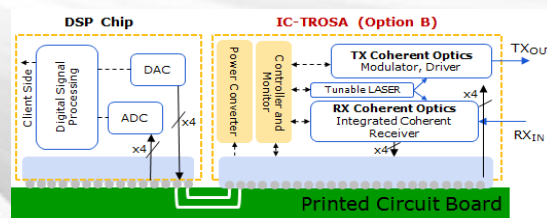
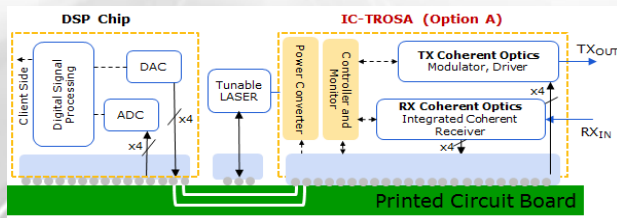
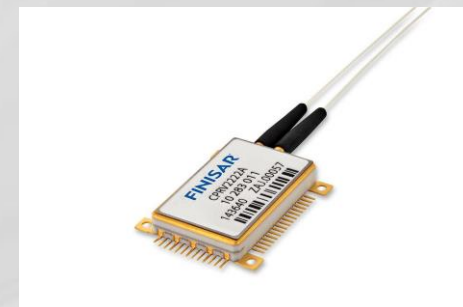
# Frameworks

- The objective of these white papers is to provide guidance to module and component suppliers on a technical direction of interest to a number of network equipment vendors.



# Components

- Polarization Multiplexed Quadrature Modulator
- Integrated Coherent Receiver
- High Bandwidth Coherent Driver Modulator
  - *HB-PMQ* plus the *RF drive functions* for the *high baud-rate* and low modem implementation penalty segment of the coherent market.
- IC-TROSA
  - Integrated coherent transmitter-receiver optical sub-assembly



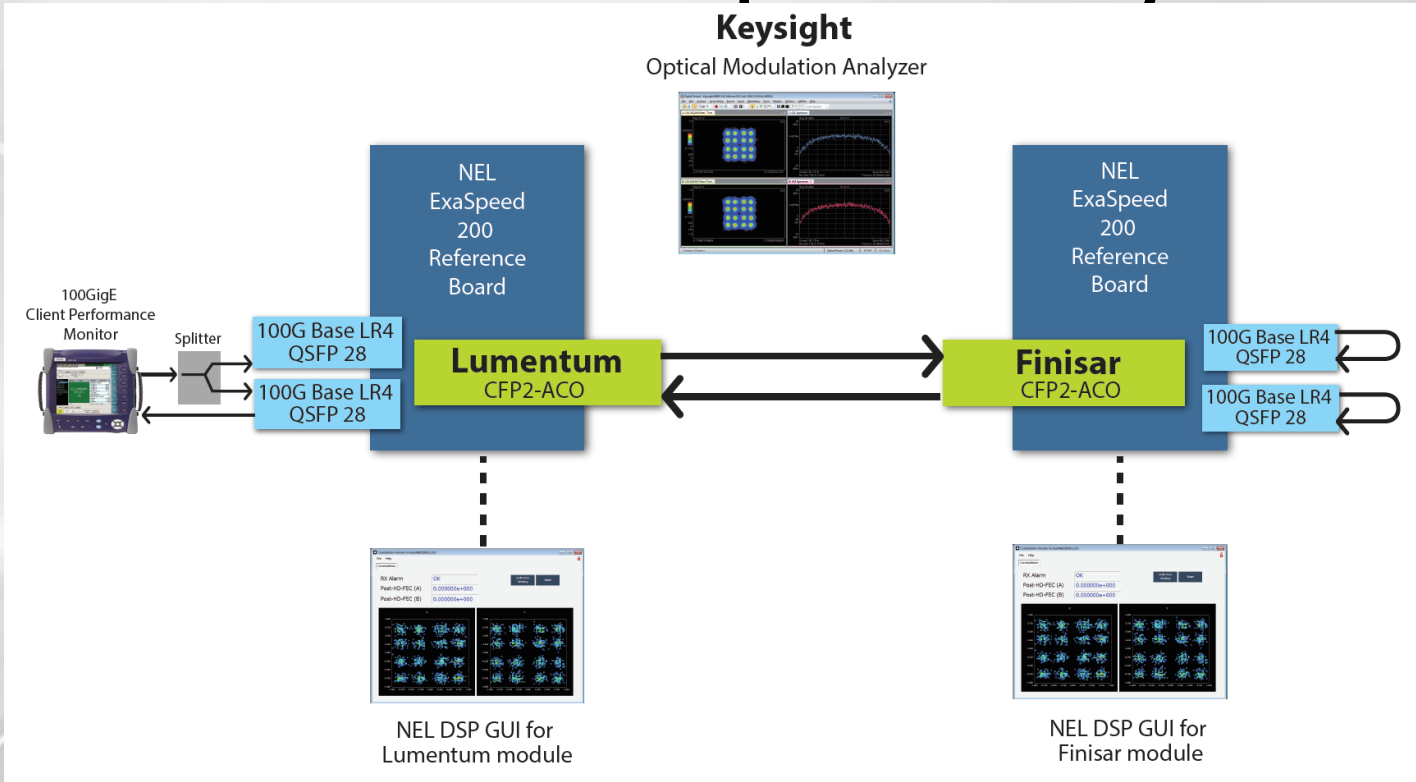


# Interop

- 400ZR
  - Focusing on a 80-120km, single carrier, multivendor interoperable link, carrying 400GE.
  - Liaisons with IEEE 802.3 and ITU-T Q6/15



# CFP2-ACO Interoperability Demo



# Summary

- Existing documents led the way for coherent deployments
- Multi-vendor optical interoperability in OIF Booth
- Current projects support upcoming needs