



**Serial Shortwave Very Short Reach (VSR)  
OC-192 Interface for Multimode Fiber**

OIF-VSR4-04.0

*January 22, 2001*

Implementation Agreement Created and Approved  
by the Optical Internetworking Forum  
[www.oiforum.com](http://www.oiforum.com)

---

**Working Group:** Physical Link Layer

---

**TITLE:** Serial Shortwave Very Short Reach (VSR) OC-192 Interface for Multimode Fiber

---

**SOURCE:**

**Jack Jewell**  
**Chris Simoneaux**  
Picolight  
4665 Nautilus Ct South  
Boulder, CO 80301  
Phone: 303-530-3189  
Email: jjjewell@picolight.com

**Russ Tuck**  
Working Group Chair  
Pluris Terabit Network Systems  
10455 Bandley Drive  
Cupertino, CA 95014  
Phone: 408-861-3360  
Email: tuck@pluris.com

**Bob Mayer**  
**Jeff Bisberg**  
**Mike Dudek**  
Cielo Communications  
325 Interlocken Parkway  
Broomfield, CO 80021  
Phone: 303-460-0700  
Email: bmayer@cieloinc.com

**Herman Chui**  
**Tim Bodenhamer**  
New Focus  
5215 Hellyer Avenue  
San Jose, CA 95138  
Phone: 408-919-5367  
Email: hchui@newfocus.com

**Patrick Gilliland**  
Stratos Lightwave  
Optoelectronics Products  
7444 West Wilson Avenue  
Chicago, IL 60706  
Phone: 708-867-9600 x5003  
pgilliland@stratoslightwave.com

**Felix Kapron**  
Optical Communications  
Corning Incorporated  
8 East Denison Pkwy, MP-QX-02  
Corning, NY 14831  
Phone: 607-974-7156  
Email: kapronfp@corning.com

---

**DATE:** January 22, 2001

---

**Document Status:** Implementation Agreement OIF-VSR4-04.0  
**Project Name:** Low-cost OC-192/STM-64 Interface – Serial Optics  
**Project Number:** PLL Study Point 6-2

---

**Notice:** This Technical Document has been created by the Optical Internetworking Forum (OIF). This document is offered to the OIF Membership solely as a basis for agreement and is not a binding proposal on the companies listed as resources above. The OIF reserves the rights to at any time to add, amend, or withdraw statements contained herein. Nothing in this document is in any way binding on the OIF or any of its members.

The user's attention is called to the possibility that implementation of the OIF implementation agreement contained herein may require the use of inventions covered by the patent rights held by third parties. By publication of this OIF implementation agreement, the OIF makes no representation or warranty whatsoever, whether expressed or implied, that implementation of the specification will not infringe any third party rights, nor does the OIF make any representation or warranty whatsoever, whether expressed or implied, with respect to any claim that has been or may be asserted by any third party, the validity of any patent rights related to any such claim, or the extent to which a license to use any such rights may or may not be available or the terms hereof.

For additional information contact:  
The Optical Internetworking Forum, 39355 California Street,  
Suite 307, Fremont, CA 94538  
510-608-5928 phone ☎ info@oiforum.com

Copyright (C) The Optical Internetworking Forum (OIF) (2001). All Rights Reserved.

This document and translations of it may be copied and furnished to others, and derivative works that comment on or otherwise explain it or assist in its implementation may be prepared, copied, published and distributed, in whole or in part, without restriction other than the following, (1) the above copyright notice and this paragraph must be included on all such copies and derivative works, and (2) this document itself may not be modified in any way, such as by removing the copyright notice or references to the OIF, except as needed for the purpose of developing OIF Implementation Agreements.

By downloading, copying, or using this document in any manner, the user consents to the terms and conditions of this notice. Unless the terms and conditions of this notice are breached by the user, the limited permissions granted above are perpetual and will not be revoked by the OIF or its successors or assigns.

This document and the information contained herein is provided on an "AS IS" basis and THE OIF DISCLAIMS ALL WARRANTIES, EXPRESS OR IMPLIED, INCLUDING BUT NOT LIMITED TO ANY WARRANTY THAT THE USE OF THE INFORMATION HEREIN WILL NOT INFRINGE ANY RIGHTS OR ANY IMPLIED WARRANTIES OF MERCHANTABILITY, TITLE OR FITNESS FOR A PARTICULAR PURPOSE.

# 1 Table of Contents

0	Cover Sheet .....	1
1	Table of Contents .....	4
2	List of Figures.....	5
3	List of Tables.....	5
4	Document Revision History .....	5
5	Project Summary.....	6
5.1	Working Group project(s) .....	6
5.2	Working Group(s).....	6
5.3	Date Approved .....	6
5.4	Original Document .....	6
5.5	Problem Statement .....	6
5.6	Scope.....	6
5.7	Expected Outcome.....	6
5.8	Schedule .....	6
5.9	Merits to OIF .....	6
5.10	Merits to working group.....	6
5.11	Relationship to other Working Groups .....	6
5.12	Relationship to other Standards Bodies .....	6
6	Introduction .....	7
6.1	Application .....	7
6.2	Functional Overview.....	8
7	Optical interface specifications .....	9
7.1	Optical interface requirements .....	9
7.2	Optical fiber specification .....	11
7.3	Measurement of the optical parameters.....	11
8	Summary.....	13
9	References.....	13
10	Appendix A: Glossary .....	13
11	Appendix B: Open Issues / current work items .....	13
12	Appendix C: List of companies belonging to OIF when document is approved .....	13

## **2 List of Figures**

Figure 1. Reference application 1 schematic, 100m direct.

Figure 2. Reference application 2 schematic, 300m with patch panels.

Figure 3. Functional block diagram of shortwave serial OC-192 VSR interface.

## **3 List of Tables**

Table 1. Transmitter specifications

Table 2. Receiver specifications

Table 3. Link power budget

Table 4. Jitter budget

Table 5. Supported fiber types

## **4 Document Revision History**

Version 1.0 – Draft – Baseline text based on OIF2000.70.1 [1]

Version 1.1 – Draft – Link budget for standardized fiber added. Link budget, transmitter rise time and ER, and receiver sensitivity modified slightly.

Version 1.2 – Draft – Modified author list, minor typographical corrections.

Version 2.0 – Changes due to comments from straw ballot incorporated.

Version 2.1 – Minor errors corrected in Tables 2 & 3.

Version 2.2 – Reference application models added; link budget now allows for two complete patch panels (four additional connectors).

## **5 Project Summary**

Note: This section is removed when the document is forwarded to the TC for vote. It is used to help maintain the progress of the document. It is expected that appropriate key content from this section is contained in the Introduction.

- 5.1 Working Group project(s)**
- 5.2 Working Group(s)**
- 5.3 Date Approved**
- 5.4 Original Document**
- 5.5 Problem Statement**
- 5.6 Scope**
- 5.7 Expected Outcome**
- 5.8 Schedule**
- 5.9 Merits to OIF**
- 5.10 Merits to working group**
- 5.11 Relationship to other Working Groups**
  - 5.11.1 Overlaps
  - 5.11.2 Unique viewpoints
- 5.12 Relationship to other Standards Bodies**
  - 5.12.1 Overlaps
  - 5.12.2 Unique viewpoints

## 6 Introduction

This technical document describes a functional low-cost shortwave serial SONET/SDH OC-192 interface for very short reach (VSR) applications.

This VSR interface utilizes a single 850 nm vertical cavity surface-emitting laser (VCSEL) for the transmitter optical element, and a single PIN PD for the receiver. This implementation integrates the serdes function and complies with the OIF 99.102 serdes requirements.

The target performance of the VSR interface is to transmit a SONET/SDH OC-192 data stream over standard multimode fiber at distances of 85 meters. New high bandwidth fiber is supported at distances of 300 meters.

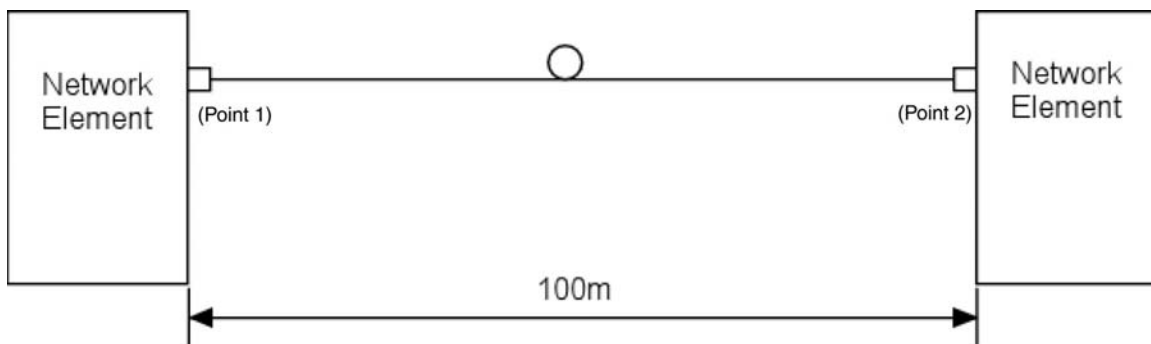
This document defines the optical interface parameters required for a shortwave serial link operating over multimode fiber.

### 6.1 Application

The application of the OC-192 VSR interface is to interconnect co-located equipment. Due to the short distances, an alternative that is less costly than current OC-192 SR solutions is desired. Examples of equipment that is often co-located and interconnected within a central office (CO) include:

1. Routers
2. Dense Wavelength Division Multiplexers (DWDM) terminals, and
3. SONET/SDH Add-drop multiplexers (ADMs).

Shown in Figures 1 and 2 below are the two reference application models supported by this VSR. Reference application 1 is a direct intra-office connection of up to 100 meters with no patch panels. Reference application 2 is an intra-office connection of up to 300m with two patch panels.



**Figure 1. Reference application 1, intra-office, direct connection, 100m, no patch panels,**

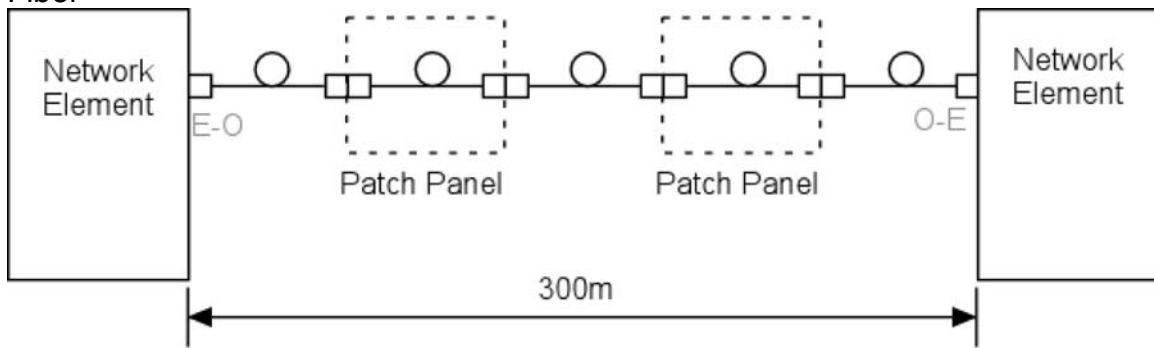


Figure 2. Reference application 2, intra-office, no PXC, 300m, with patch panels.

## 6.2 Functional Overview

The OC-192 VSR interface is a bi-directional interface. A functional block diagram (enclosed within the dotted line) is illustrated in Figure 3.

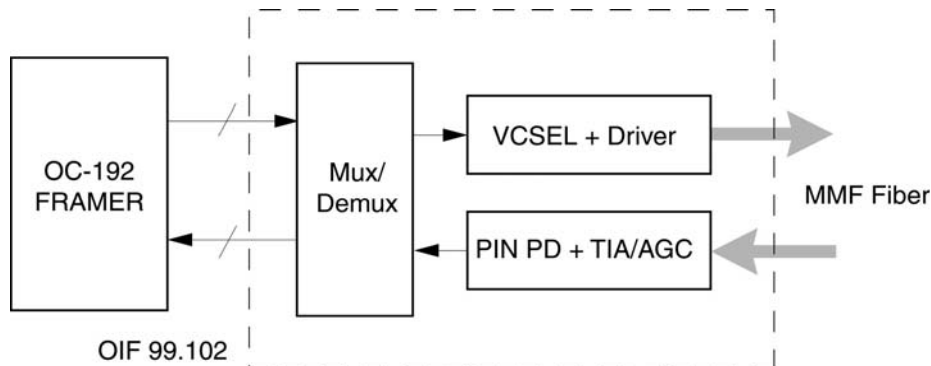


Figure 3. Functional block diagram of shortwave serial OC-192 VSR interface.

The transmit direction comprises an electrical multiplexer, laser driver, and shortwave 850nm VCSEL, whose output is coupled to a multimode fiber cable plant, operating over a distance up to 300 meters. The output of the multiplexer and VCSEL is a 9.95328 Gb/s SONET/SDH compliant data stream.

The receive direction comprises a PIN photodiode coupled to the MM fiber, whose output is amplified by a transimpedance amplifier followed by an optional post-amp stage. This signal is demultiplexed to a 16 bit wide data stream.

The framer-serdes electrical I/O interface shown in the transponder above is fully compliant with the OIF99.102.5 specification (at SERDES interface) [1]. The optical interface is described in detail in the following section.



## 7 Optical interface specifications

### 7.1 Optical interface requirements

Here we describe the optical specifications governing the receiver, transmitter and cable plant, as well as present the link budget. This link budget is based on the IEEE Gigabit Ethernet model and spreadsheet [3,4]. The output power of the transmitter meets new CDRH and IEC eye-safety standards, which means the receiver is compatible with transmitter power up to  $-1.3$  dBm and distances up to 300m will be supported on new high-bandwidth multimode fiber.

#### 7.1.1 Transmitter specification

The transmitter for the VSR link consists of a single directly-modulated 850 nm VCSEL. The transmitter will meet the specifications in table 1 below as well as the eye mask requirements listed in section 7.3.5.

Table 1: Transmitter specifications

Description	Value	Units
Type	Shortwave VCSEL	
Signaling speed	9.95328	GBd
Wavelength range	840 to 860	nm
Trise/Tfall (20-80%)	35	ps
RMS spectral width (max) (b)	0.35	nm
Avg. launch power (max)	see note (c)	dBm
Avg. launch power OMA (min)	360	$\mu$ W
RIN OMA (max)	-125	dB/Hz
Encircled flux (min) (d)	85	%

(a) Relevant GbE model parameters:  $MN = 0.3$  dB, MPN k factor 0.5

(b) Experimental evidence suggests larger values are supportable

(c) The lesser of class 1 eye safety limit or average receiver power (max), currently -1.3 dBm

(d) Measured in a 16  $\mu$ m radius in a 50  $\mu$ m fiber, as per TIA/EIA 455-203 (draft)

7.1.2 Receiver specification

The receiver consists of a single PIN photodiode and amplifier stages and will meet the specifications in table 2 below. The BER of the link will be  $10^{-12}$  without forward error correction.

Table 2: Receiver specifications

Description	Value	Units
Type	PIN photodiode	
Signalling speed	9.95328	GBd
Wavelength range	840 to 860	nm
Avg. receive power (max)	-1.3	dBm
Receiver sensitivity (a)	57.0	uW
Return loss (min)	12	dB
Stressed receive sensitivity	160.0	uW

(a) BER 10-12 without FEC

(b) Relevant GbE model parameter: receiver BW 7.734 GHz

7.1.3 Link power budget and penalties

The link power budget presented in table 3 below is based on the latest IEEE Gigabit Ethernet spreadsheet [3,4] and shows the relevant parameters both for 85 meters of standard 500 MHz-km MMF and 300 meters of 2000 MHz-km MMF.

Table 3: Link power budget

Description	Value		Units
	50 um MMF	50 um MMF	
Fiber type (a)	500	2000	MHz-km
Fiber modal BW	500	2000	MHz-km
Link power budget	8.0		dB
Operating distance	85	300	m
Channel insertion loss	2.31	3.09	dB
Link power penalties	4.73	4.73	dB
Unallocated margin	0.96	0.18	dB
Maximum number of connectors	4		dB
Connector loss budget	2.0		dB

7.1.4 Jitter specification

The jitter specification for the VSR link is based on scaled GbE specifications. The compliance points for the jitter specification are illustrated above in Figure 1. Note that point 1 and point 4 in the VSR reference cabling model of figure 1 above are equivalent to TP2 and TP3 respectively in the GbE specification.

## Fiber

This VSR implementation will conform to the jitter specification in Table 4 below. Note that only values in the table in **bold** are normative. All other values are informative.

Table 4: Jitter budget

Compliance point	Total jitter (a)		Deterministic jitter	
	UI	ps	UI	ps
<b>Point 1</b>	<b>0.431</b>	<b>43</b>	0.200	20
<i>Point 1 to point 4</i>	<i>0.170</i>	<i>17</i>	<i>0.050</i>	<i>5</i>
<b>Point 4</b>	<b>0.510</b>	<b>51</b>	0.250	25

(a) Total jitter is the algebraic sum of deterministic and random jitter at that point

## 7.2 Optical fiber specification

This link is designed to work up to 85 meters over standardized multimode fiber with a modal bandwidth of 500 MHz-km. However, other types of MMF are also supported, including high-BW MMF, with the following modal bandwidths and distances as shown in Table 5 below.

Table 5: Supported fiber

Fiber type	Modal BW (MHz-km) *	Minimum range (meters)
50 um MMF	2000	300
50 um MMF	500	85
62.5 um MMF	160	25

\* Launch conditions defined by TIA/EIA-455-203

## 7.3 Measurement of the optical parameters

All measurements are to be made through a short patch cord of multimode fiber, 2-5 meters in length. Note that much of this suite of measurement techniques is closely based on the IEEE Standard 802.3, Section 38.6 [5].

### 7.3.1 Center wavelength and spectral width

The center wavelength and spectral width shall be measured as in ANSI/EIA/TIA-455-127-1991 under modulated conditions using a 9.95328 Gb/s PRBS data stream.

### 7.3.2 Optical power measurements

Optical power shall be measured as specified in ANSI/EIA-455-95-1986, with the transmitter sending a 9.95328 Gb/s PRBS data stream.

### 7.3.3 Extinction ratio measurements

Extinction ratio shall be measured using the methods of ANSI/TIA/EIA-526-4A-1997 under the worst-case reflection conditions, the transmitter modulated with a 995.328 MHz square wave.

7.3.4 *Relative intensity noise measurements*

RIN shall be measured according to the procedures of ANSI X3.230-1994 (FC-PH), Annex A [6], except that multimode fiber is to be substituted for single-mode fiber and no polarization rotator should be used. Note that RIN is referred to as  $RIN_{12}$  in the referenced document.

7.3.5 *Eye mask test*

The transmitter shall meet the STM-16 eye mask parameters specified in ITU-T Recommendation G.957 [7], section 6.2.5, and using a unit interval (UI) corresponding to 9.95328Gb/s.

7.3.6 *Transmitter rise/fall characteristics*

The rise and fall measurements shall be made on waveforms whose waveforms comply with the eye mask of section 7.3.5 above. If a filter is needed so that the waveform conforms to the mask, the rise or fall time of the filter shall be subtracted in quadrature from the measured value or rise or fall time, respectively, to arrive at the true response time. These rise and fall times are measured from the 20% and 80% excursions of the leading and falling edges respectively.

7.3.7 *Stressed Receiver sensitivity measurement*

The receiver shall be tested in accordance with IEEE Standard 802.3 [5], section 38.6.11, with the following modifications. The conformance test signal will be conditioned such that the duty cycle distortion (DCD) component of deterministic jitter (DJ) shall be no less than 10ps. The receiver bandwidth must be at least 20GHz and is coupled through a 14.93 GHz fourth-order Bessel-Thompson filter. The linearly-modulated laser source may be a VCSEL-based transmitter, provided the eye closure is as specified in section 38.6.11.

7.3.8 *Jitter measurements*

Measurements of jitter shall be done in accordance with the methods described in ANSI X3.230-1994 (FC-PH), Annex A, A.4.2 and A.4.3.

7.3.9 *Optical Modulation Amplitude (OMA)*

Optical modulation amplitude is tested in accordance with T11/00-020v4 dpANS – Fibre Channel - Physical Interface, Rev 6.6, Annex A.5

## **8 Summary**

We have presented a shortwave serial physical layer implementation for the VSR application, operating over 85 meters of standard multimode fiber and 300 meters of new high bandwidth multimode fiber.

## **9 References**

1. OIF2000.070.1 "VCSEL Serial VSR Proposal – Task Group Report," Optical Internetworking Forum – Physical Link Layer Working Group, May 2000.
2. OIF1999.102.6 "SFI-4 Common electrical interface between frames and serializer/deserializer parts for STS-192/STM-64 interfaces," Optical Internetworking Forum – Physical Link Layer Working Group, May 2000.
3. "The Gigabit Ethernet Optical Link Model", Chapter 9, Gigabit Ethernet Networking, D. Cunningham, W. Lane, Macmillan Technical Publishing, 1999. ISBN: 1-57870-062-0.
4. IEEE P802.3ae 10Gb/s Ethernet Task Force document [http://www.ieee802.org/3/10G\\_study/public/email\\_attach/3pmd046.xls](http://www.ieee802.org/3/10G_study/public/email_attach/3pmd046.xls)
5. IEEE 802.3 Information Technology, Part 3: "Carrier sense multiple access with collision detection (CSMA/CD) access method and physical layer specifications"
6. ANSI X.230-1994 "Fibre Channel – Physical and Signaling Interface (FC-PH)," American National Standards Institute, 1994.
7. ITU-T G.957 (6/99) "Optical interfaces for equipments and systems relating to the synchronous digital hierarchy"

## **10 Appendix A: Glossary**

## **11 Appendix B: Open Issues / current work items**

## **12 Appendix C: List of companies belonging to OIF when document was approved**

Accelerant Networks  
Accelight Networks  
Acorn Networks  
AdventNet  
Aerie Networks  
Agilent Technologies  
Agility Communications  
Alcatel  
Algety Telecom  
Alidian Networks  
All Optical Networks, Inc.

## Fiber

Allegro Networks  
Altera  
Alvesta Corporation  
Amber Networks  
AMCC  
Amkor Technology  
Ample Communications  
Analog Devices  
ANDO Corporation  
AON Networks  
Appian Communications  
Applied Innovation  
Aralight  
Artel Video Systems  
Astral Point  
Communications  
AT&T  
Atoga Systems  
Avici Systems  
Axiowave Networks  
Axsun Technologies  
Bandwidth9  
Bay Microsystems  
Bellsouth  
Telecommunications  
Big Bear Networks  
Blaze Network Products  
Bravida Corp  
BrightLink Networks  
Broadcom  
BT  
Cable & Wireless  
Calient Networks  
Calix Networks  
Caspian Networks  
Catamaran  
Communications  
Celion Networks  
Celox Networks  
Cenix  
Centerpoint Broadband  
Technologies  
Chiaro Networks  
China Advanced Info-  
Optical Network  
Chorum Technologies  
Cidra  
Cielo Communications  
CIENA Communications  
Cinta Corporation  
Cisco Systems  
Clifton Microsystems

## Fiber

Cognet Microsystems  
Computer &  
Communications Research  
Labs  
Conexant  
ConnectCom  
MicroSystems  
Continuum Networks  
Coriolis Networks  
Corning Incorporated  
Corrigent Systems  
CORVIS Corporation  
CPlane  
CSELT  
CyOptics  
Cypress Semiconductor  
Cyras Systems  
Dark Matter Network  
Technologies  
Data Connection  
Deutsche Telekom  
DigiLens  
Ditech  
Dynarc  
E2O Communications  
ECI Telecom  
Edgeflow  
Elisa Communications  
Emperative  
Enron Broadband Services  
Entridia  
Equipe Communications  
Ericsson  
ETRI  
Extreme Networks  
Ezchip  
Fast-Chip  
FCI  
Finisar Corporation  
Force 10 Networks  
Foundry Networks  
Fujikura  
Fujitsu  
Fujitsu  
Furukawa Electric  
Technologies  
G2 Networks  
Gazillion Bits  
Gemfire  
General Dynamics  
Genoa  
Glimmerglass Networks

## Fiber

Global Crossing North  
American Networks  
Gore & Associates  
Gotham Networks  
Gtran  
GTS Network Services  
Helix AG  
Hi/fn  
Hitachi  
Honeywell  
Huawei Technologies  
Hyperchip  
IBM Corporation  
Ilotron  
Infineon Technologies  
Information Management  
Systems  
Informed Diagnostics Inc.  
Innovance Networks  
Inphi  
Integral Access  
Intel  
Internet Machines  
Iolon  
IPOptical  
Iris Labs  
Ironbridge Networks  
Jasmine Networks  
JDS Uniphase  
Jedai Broadband Networks  
Jennic  
Juniper Networks  
KDD R&D Laboratories  
KereniX  
Kestrel Solutions  
Korea Telecom  
Kromos Technology  
Lambda Crossing  
LANCAST  
Lara Networks, Inc.  
Laurel Networks  
Level 3 Communications  
LightLogic  
LSI Logic  
Lucent Technologies  
Luminous Networks  
Luxcore  
LuxN  
LYNX - Photonic Networks  
Mahi Networks  
Maple Optical Systems



## Fiber

Marconi Communications  
Mayan Networks  
Memlink  
Metro-OptiX  
MicroOptical Devices  
Mintera  
Mitel Corporation  
Mitsubishi Electric Corporation  
Multilink Technology Corporation  
Nanovation  
National Security Agency,  
US. Dept of Defense  
Native Networks  
Nayna Networks  
NEC  
NEL America, Inc.  
Net Insight  
Net-Hopper Systems  
NetPlane  
Network Associates  
Network Elements  
Network Photonics  
New Focus  
NewPort Communications  
NIST  
Nokia  
Nortel Networks  
nSerial  
Ntechra  
NTT Corporation  
NurLogic Design, Inc.  
Ocular Networks  
OKI Electric Industry  
ON Semiconductor  
Onex Communications  
ONI Systems  
Ophos  
Optical Switch Corp.  
Opticalwave Networks  
Optivera  
Optix Networks  
Optobahn  
OptronX  
Panstera  
Parama Networks  
Paxonet Communications  
Photonami Inc.  
PhotonEx  
Photuris, Inc.

## Fiber

PicoLight

Pine Photonics  
Communications

Pluris

PMC Sierra

Point Reyes Networks

Princeton Networks

Procket Networks

Quake Technologies

Quantum Bridge

Redback Networks

Redfern Broadband  
Networks

Reversi Networks

RHK

Sandia National  
Laboratories

Santec Corporation

Scientific Atlanta

SDL

Seneca Networks

Siemens

Silicon Access

SITA Equant

Solidum Systems  
Corporation

Solinet Systems

Sorrento Networks

SpectraSwitch

Sphera Optical Networks

Spirent Communications

Sprint

Stratos Lightwave

Sumitomo Electric  
Industries

Sycamore Networks

Syntera Communications

T-Networks, Inc.

TDK Semiconductor

Tektronix

Telcordia Technologies

TELE-WORX

Tellabs

Tellium

Tenor Networks

TeraBeam Networks

TeraBurst Networks

TeraOp

Terawave  
Communications

Texas Instruments

Toshiba Corporation

OIF-VSR4-04.0

Serial Shortwave VSR Interface for Multimode

Fiber

Transparent Optical

TranSwitch Corporation

Trellis Photonics

TriQuint Semiconductor

Turin Networks

TyCom

US Conec

Valiant Networks

Vectron International

Velio Communications

Verizon

Versanetworks

Village Networks

Virata Corporation

Vitesse Semiconductor

Vivace Networks

Wavium AB

West Bay Semiconductor

Inc.

White Rock Networks

Williams Communications

WorldCom

Xanoptix

Xilinx

XStream Logic

YAFO Networks

Yotta Networks

Zaffire

Zenfinity

ZettaCom