



**Accelink Technologies**  
**Booth #B60**

## Accelink products at OIF booth

- Linear Pluggable Optics (LPO) modules
  - OSFP 800G DR8+ (LPO & LRO)
  - OSFP 800G 2xFR4 (LPO)
- External Laser Small Form-Factor Pluggable (ELSFP) module
- QSFP-DD 400ZR & OpenZR+ 0dBm/-10dBm

## LPO/LRO modules at CEI Section

### Empower Efficiency with Accelink LPO and LRO Modules

Achieve 8W maximum power consumption using Silicon Photonics technology

Great BER performance to ensure your network interconnecting with CPO and/or other LPO

**800G OSFP DR8 LPO/LRO**



**800G OSFP 2xFR4 LPO**



| Spec                 | 800G OSFP DR8 LPO/LRO      | 800G OSFP 2xFR4 LPO |
|----------------------|----------------------------|---------------------|
| Data rate            | 800 Gb/s                   | 800 Gb/s            |
| Distance             | 500m                       | 2km                 |
| Case Temperature     | 0~70 °C                    | 0~70 °C             |
| Transmitter/Receiver | SiP/PIN                    | SiP/PIN             |
| Wavelength           | 1310nm                     | 2x CWDM             |
| Power Consumption    | ≤7.5W (LPO)<br>≤9.5W (LRO) | ≤8W                 |
| Optical Connector    | Dual MPO-12                | Dual Duplex LC      |

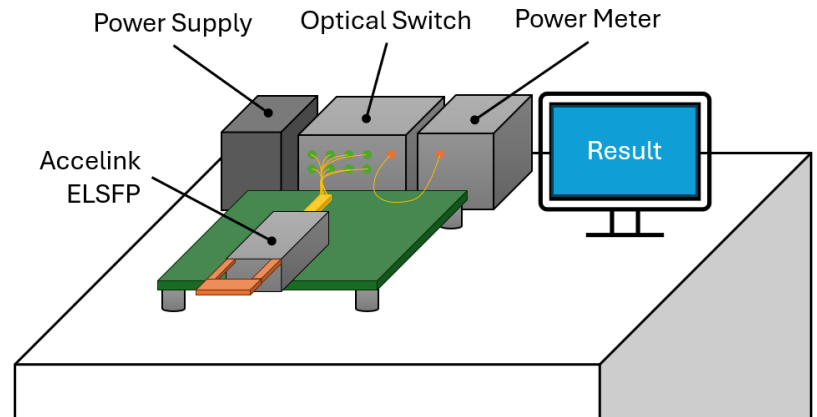
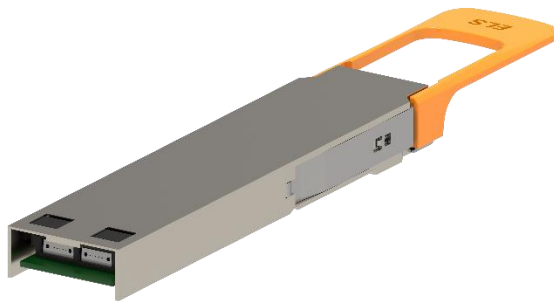


Visit our website for more details:  
<https://www.accelink.com/en/>



## CPO/ELSFP at EEI Section

### OIF defined ELSFP Module Demonstration (1310nm)



|                   |           |
|-------------------|-----------|
| Laser power       | 23dBm     |
| Laser wavelength  | 8x 1310nm |
| Power Consumption | ≤20W      |

## QSFP-DD 400ZR & OpenZR+ 0dBm/-10dBm

### 400G QSFP-DD ZR+ HP

### 400G QSFP-DD ZR+ DCO

### 400G QSFP-DD ZR DCO



| Spec                 | 400G QSFP-DD ZR+ HP          | 400G QSFP-DD ZR+             | 400G QSFP-DD ZR |
|----------------------|------------------------------|------------------------------|-----------------|
| Data rate            | 400Gb/s                      | 400Gb/s                      | 400Gb/s         |
| Distance             | 450km (400Gb/s rate)         | 450km (400Gb/s rate)         | 120km           |
| Case Temperature     | 0~70°C                       | 0~70°C                       | 0~70 °C         |
| Transmitter/Receiver | Nano-ITLA/ICR                | Nano-ITLA/ICR                | Nano-ITLA/ICR   |
| Frequency            | 191.3~196.1THz               | 191.3~196.1THz               | 191.3~196.1THz  |
| Optical Connector    | Duplex LC                    | Duplex LC                    | Duplex LC       |
| B2B ROSNR            | 24dB@400ZR<br>22.5dB@400ZR+  | 24dB@400ZR+                  | 26dB@400ZR      |
| Tx Output Power      | -13~+3dBm tunable            | -13~-9dBm                    | -11~-10dBm      |
| Power consumption    | ≤23W (400ZR+)<br>≤21W(400ZR) | ≤21W(400ZR+)<br>≤18W (400ZR) | ≤20W(400ZR)     |
| IB Tx OSNR           | 36dB w/ build-in TOF         |                              |                 |
| OOB Tx OSNR          | 43dB w/ build-in TOF         |                              |                 |

