

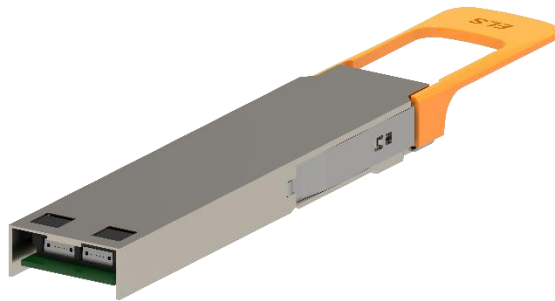


Accelink products at OIF booth

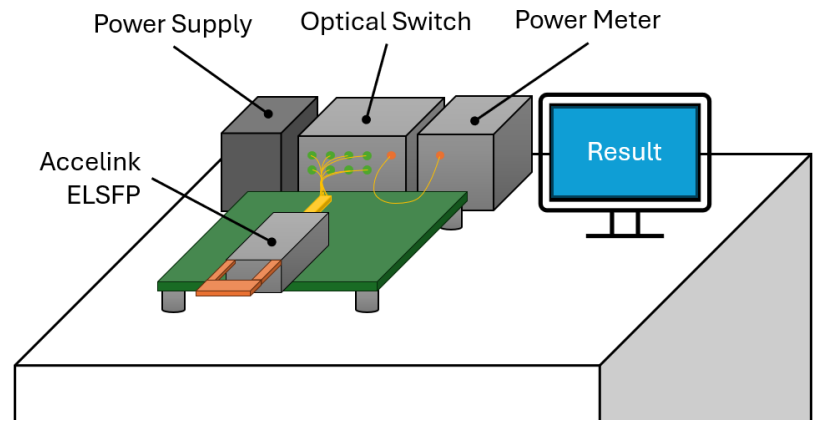
- External Laser Small Form-Factor Pluggable (ELSFP) module
- Linear Pluggable Optics (LPO) modules
 - OSFP 800G DR8+
 - OSFP 800G 2xFR4
- QSFP-DD 400G ZR & OpenZR+ 0dBm

CPO Demonstrations

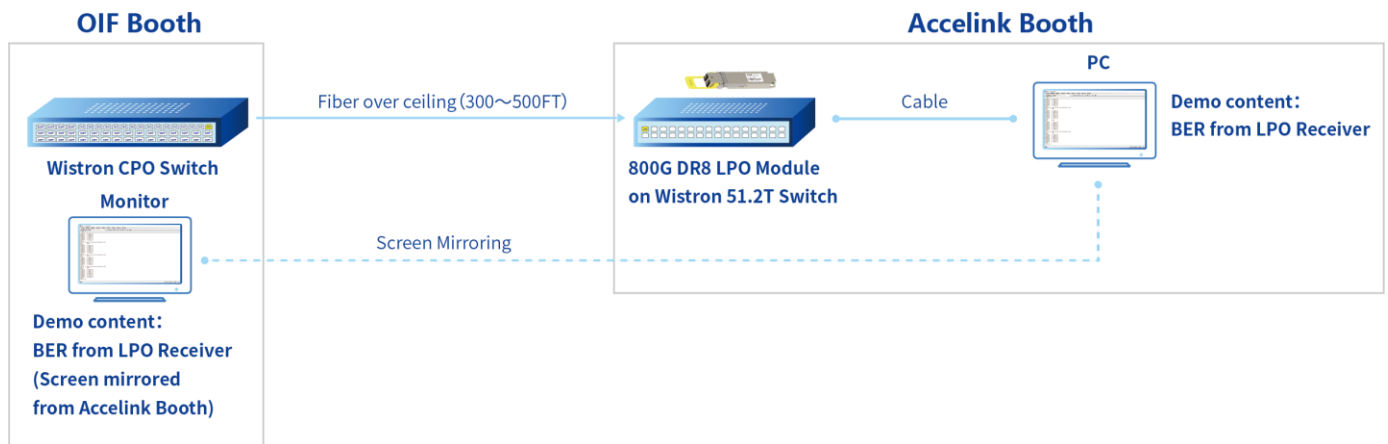
OIF defined ELSFP Module Demonstration (1310nm)



Laser power	20dBm
Laser wavelength	8x 1310nm



CPO-LPO Interop between OIF and Accelink booths



LPO module demonstrations

Empower Efficiency with Accelink LPO Modules

Achieve 8W maximum power consumption using Silicon Photonics technology

Great BER performance to ensure your network interconnecting with CPO and/or other LPO

800G OSFP DR8



Product specification

Data rate	800 Gb/s
Distance	500m
Case Temperature	0~70 °C
Transmitter/Receiver	SiP/PIN
Wavelength	1310nm
Power Consumption (Max)	7.5W
Optical Connector	Dual MPO-12

800G OSFP 2xFR4



Product specification

Data rate	800 Gb/s
Distance	2km
Case Temperature	0~70 °C
Transmitter/Receiver	SiP/PIN
Wavelength	2x CWDM
Power Consumption (Max)	8W
Optical Connector	Dual Duplex LC

QSFP-DD 400ZR & OpenZR+ 0dBm demonstration

QSFP-DD 400G ZR/ZR+ High Tx Output Power



Product specification:

Data rate	400Gb/s
Distance	450km
Case Temperature	0~70 °C
Transmitter/Receiver	Nano-ITLA/ICR
Voltage Supply	3.3V
Wavelength	1528.77~1567.14nm
Frequency	191.3~196.1THz
Optical Connector	Duplex LC
B2B ROSNR	24.5dB@400ZR, 22.5dB@400ZR+
Tx Output Power Max	5dBm

