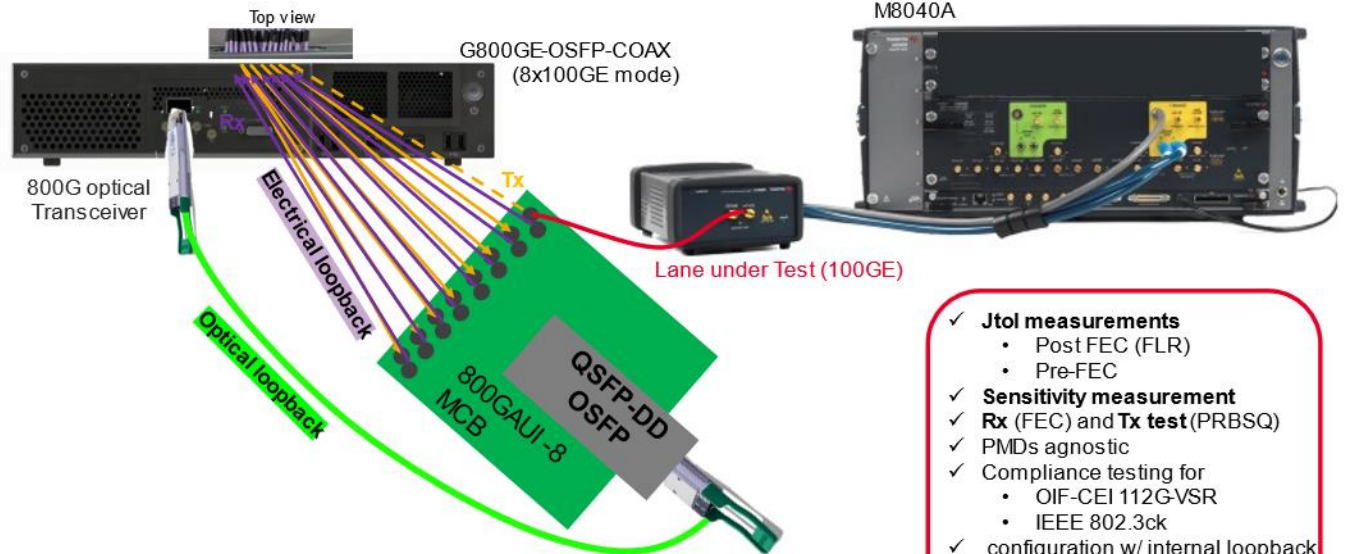


800G FEC-aware Compliance Testing with the Keysight G800GE-02

C2M 100GAUI -1 interface



- ✓ **Jtol measurements**
 - Post FEC (FLR)
 - Pre-FEC
- ✓ **Sensitivity measurement**
- ✓ **Rx (FEC) and Tx test (PRBSQ)**
- ✓ PMDs agnostic
- ✓ Compliance testing for
 - OIF-CEI 112G-VSR
 - IEEE 802.3ck
- ✓ configuration w/ internal loopback possible

G800GE-02 link tuning

Landing Page Transceiver Information

Ixla G800GE-02 4.1 Build 423 * Charles Seifert is using 1-26-23*			
Start	Pause	Clear Status	
Port 1, OSFP-112, BERT, Link Up	Amphenol NEEET-0001 Reserved Passive 3 S/N APN21170014W1C Temperature N/A, 0.31 W	BERT Bit Error Ratio 7.91e-10	
Port 2, OSFP-112, BERT, Link Up	Amphenol NEEET-0001 Reserved Passive 3 S/N APN21170014W1C Temperature N/A, 0.30 W	BERT Bit Error Ratio 1.25e-09	

- Verify Vendor Name, Part Number, Temperature, and Power
- Look for Link Status and note the BER -> if tuning needed, go to SETTINGS

61

Keysight 800GE –M Chassis 10GE to 800GE Ethernet test

Complete 800/400/100GE PAM4 & NRZ Solution

Expand AresONE 800GE to multi-speed Ethernet

- Downshift to lower PAM4 & NRZ Ethernet speeds on 800GE ports
- AresONE-M QSFP-DD800M chassis (shipping now)
- AresONE-M OSFP800 chassis (planned October '23)
- Dual Interface ModelM chassis (planned October '23)
- Full and reduced performance models
- Optical transceiver, AEC, AOC, ACC and passive DAC support with AN/LT
- Return to Factory upgrade for all AresONE QSFP-DD800-C, OSFP800-C chassis to add HW to support the 400GE PAM4 and 100GE NRZ speeds

- Affordable solution for mixed speed and signaling interoperability test
- For projects that must test 800/400GE PAM4 and 100GE NRZ-based Ethernet speeds
- Supports a broad range of optics and copper cables

Lane Speed	PAM4 support	NRZ support	FEC support	800GE	400GE	200GE	100GE	50GE	40GE	25GE	10GE	Built-in speeds
106Gb/s	✓	-	KP4 Int-FEC	1x800GE	2x400GE	4x200GE	8x100GE	-	-	-	-	Included w/chassis
53Gb/s	✓	-	KP4	-	1x400GE	2x200GE	4x100GE	8x50GE	-	-	-	Included w/chassis
26Gb/s	-	✓	KP4 RS-FEC FC-FEC	-	-	1x200GE	2x100GE	4x50GE	2x40GE	8x25GE	8x10GE	Purchased option

8

Keysight AresONE-M 800GE Portfolio – Shipping Today!*

QSFP - DD800 & OSFP800 BER/FEC/ETHERNET LAYER 1

- 3 TEST SYSTEMS

L1-3, data plane & L2-3 protocol test	Common Options	Key 800GE Applications
<ul style="list-style-type: none"> • QSFP-DD800-M chassis (shipping) • OSFP800-M chassis (October 2023) • 2-port, 4-port and 8-port systems • Full and reduced performance models • Built-in 800GE and 400GE PAM4 speeds • Optics, AOC, AEC, ACC, DAC support • L1 BERT, KP4FEC, FEC stats analysis • Digital Optical Monitoring • AN/LT for all speeds • Support for high power optics up to 25 watts 	<p>Common Options</p> <ul style="list-style-type: none"> • 1x800GE speed options • Advanced Rx Eye Histogram options • 100GE NRZ Ethernet speed options • 2-port to 4-port field upgrade • 4-port to 8-port field upgrade • Upgrade previous HW generations to current –M generation 	<p>Key 800GE applications</p> <ul style="list-style-type: none"> • Optical transceiver qualification • Copper cable qualification: <ul style="list-style-type: none"> • Passive copper (DAC) • Linear equalized copper (ACC) • Retimed copper (AEC) • Interoperability test, link qualification • Packet blasting & RFC performance benchmark test • Data Center switch performance testing from 10GE to 800GE Ethernet speeds • Ethernet router networking protocol scale & performance benchmark testing



AresONE 800GE QSFP-DD800-M chassis*



AresONE 800GE OSFP800-M chassis

7