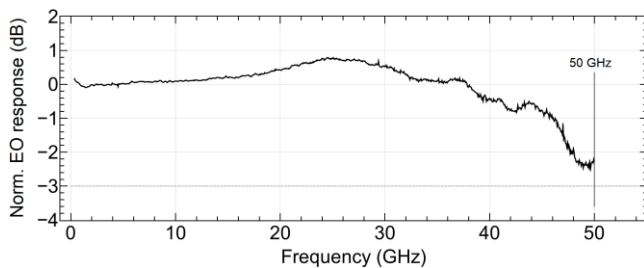
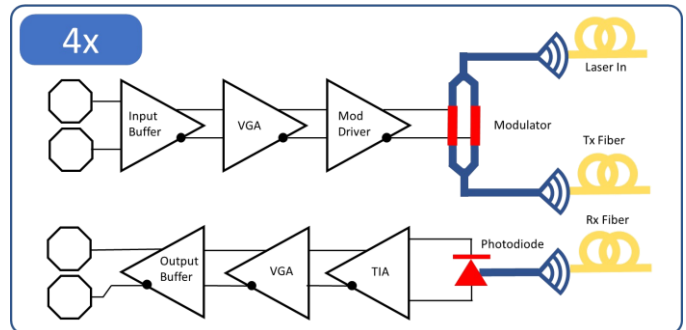
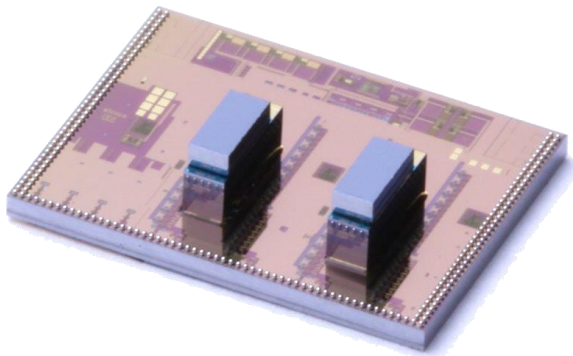
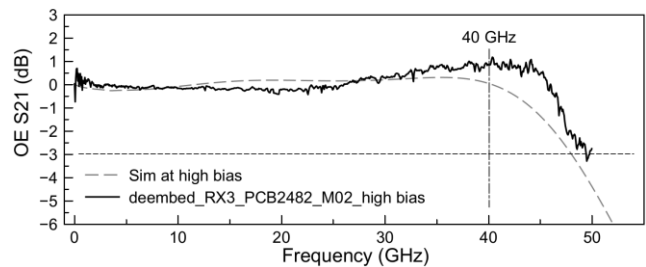




Sicoya 4x100G PAM4 Silicon Photonics with Monolithically Integrated Driver and TIA



Tx Bandwidth: 50GHz Modulator/Driver



Rx Bandwidth: 50GHz Photodiode/TIA

Sicoya’s 400G DR4 EPIC Engine is designed to meet the needs of today’s optical transceiver manufacturers and hyperscale datacenter operators. Built on wafer scale technology, the EPIC contains all functions required for high-speed optical transmission: Lasers (optional if external laser), modulators, drivers, photodiodes, transimpedance amplifiers, and optical splitters. Integrating multiple functions into a monolithic die drives down power and cost while improving performance and manufacturability.

Sicoya’s EPIC technology is scalable to support 1, 4, 8, 16 channel options up to 200Gb/s PAM4



About Sicoya: Sicoya develops highly integrated Silicon Photonic solutions which blend traditional CMOS processing and optical components in a single chip. This approach reduces power, size, and cost for our network equipment vendor, hyperscale datacenter, and telecom service provider customers.
www.sicoya.com