



## Advancing beyond

Anritsu is proud to participate in OIF's largest-ever live multi-vendor interoperability demonstrations, showcasing our Network Master™ Pro MT1040A alongside industry leaders. Our advanced test solutions support 400G ZR, OpenZR+, OpenROADM and dual 400GbE. Visit us at booth #3118 to explore our latest lab, field, and cloud test solutions for high-speed data communications.

The Network Master Pro MT1040A is a versatile handheld tester designed for Installation & Maintenance (I&M) across all network environments, from data centers and metro/core networks to mobile fronthaul/backhaul and broadband access. It supports leading standards, including 400G Ethernet, OpenZR+, OpenROADM, and ITU-T, delivering real-time Layer 1 Pre/Post FEC BER and Layer 2 Ethernet latency and throughput analysis.

With the growing adoption of 400G ZR/ZR+/OpenROADM coherent pluggable solutions, the MT1040A simplifies 400ZR/OpenZR+/OpenROADM validation by offering detailed live network analysis, real-time Tx/Rx power monitoring, OSNR, SOP, CD, PreFEC BER, and ultra-precise 5-nanosecond latency measurement. Anritsu's advanced heat control function prevents transceiver module overheating, ensuring long-term performance.

### Key Features:

- ✓ OIF and OpenROADM interoperability
- ✓ Direct pluggable support (QSFP-DD, OSFP, QSFP56, SFP28, etc.)
- ✓ Multi-rate testing (10M–400G) without changing modules
- ✓ Coherent monitoring (OSNR, SOP, CD, etc.) in 1-second intervals
- ✓ One-way and roundtrip latency measurement at full-line rate with a 5-nanosecond resolution
- ✓ Remote access for up to 4 users

Join us at OIF to see the MT1040A in action!



**Network Master™ Pro MT1040A**



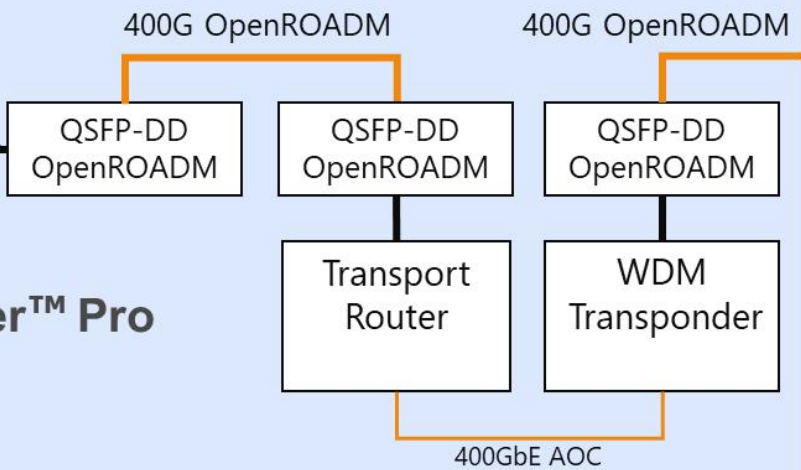
[www.oiforum.com](http://www.oiforum.com)

# NW Performance Testing for IPoDWDM

## OIF #5745



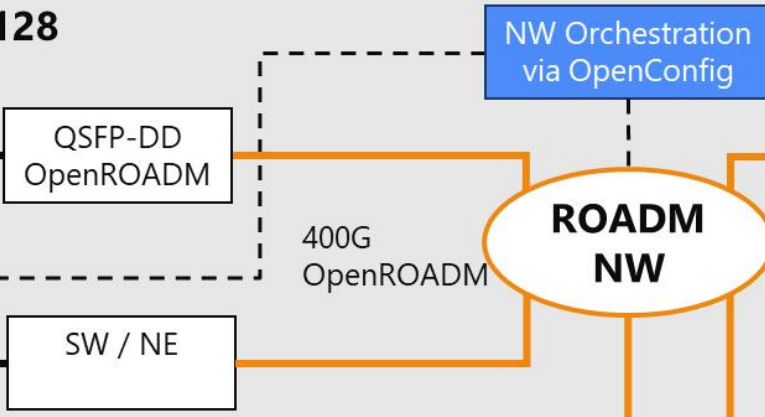
Network Master™ Pro  
MT1040A



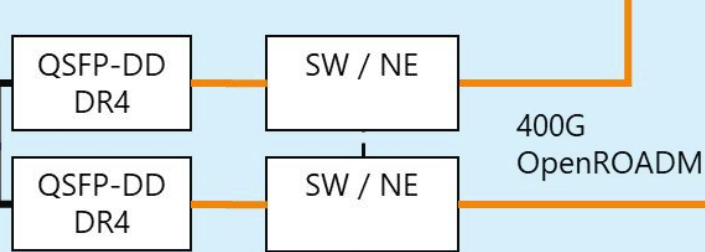
## OpenROADM #5128



Anritsu  
vTester PoC  
in Server



## IOWN #5029



## Anritsu #3118

